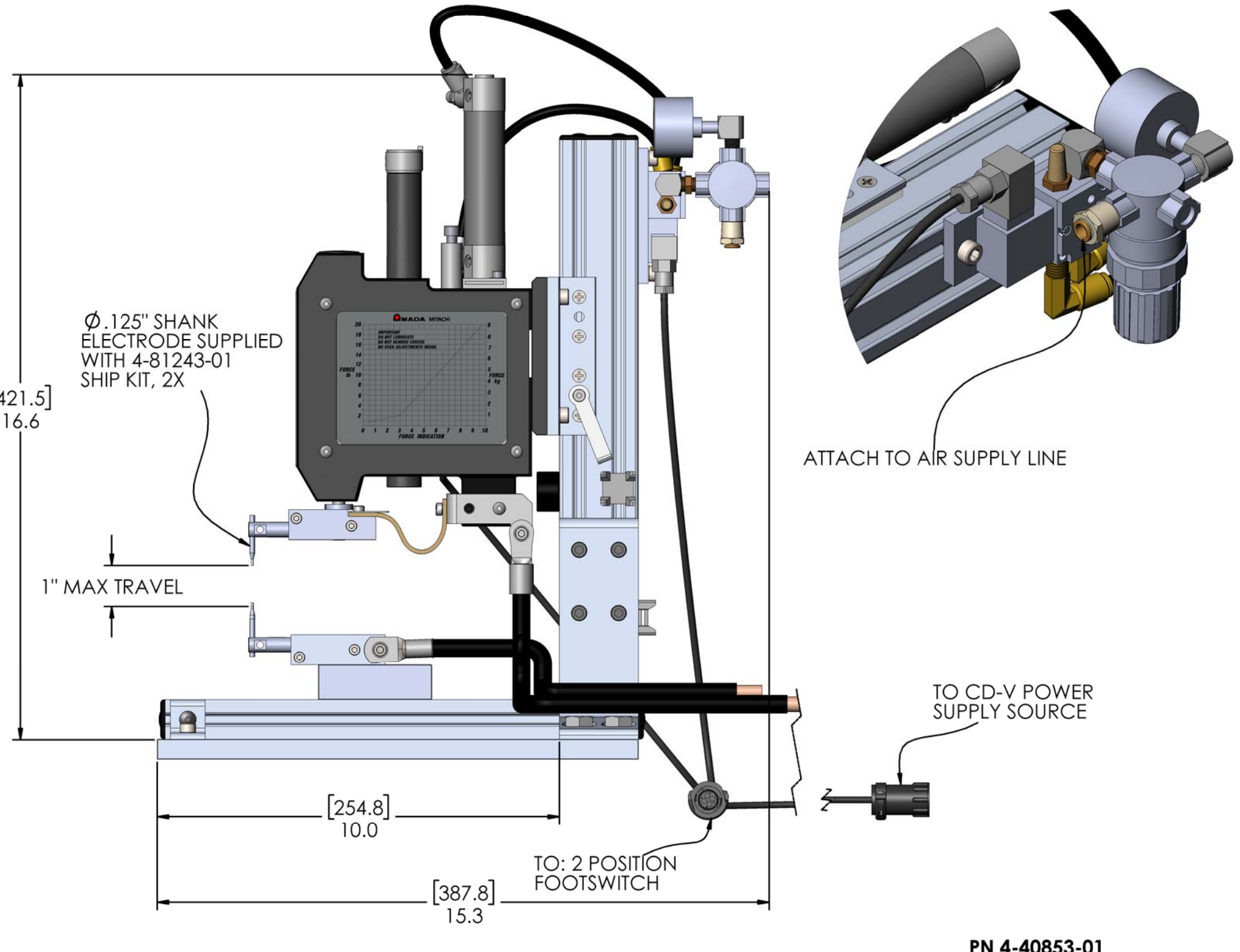
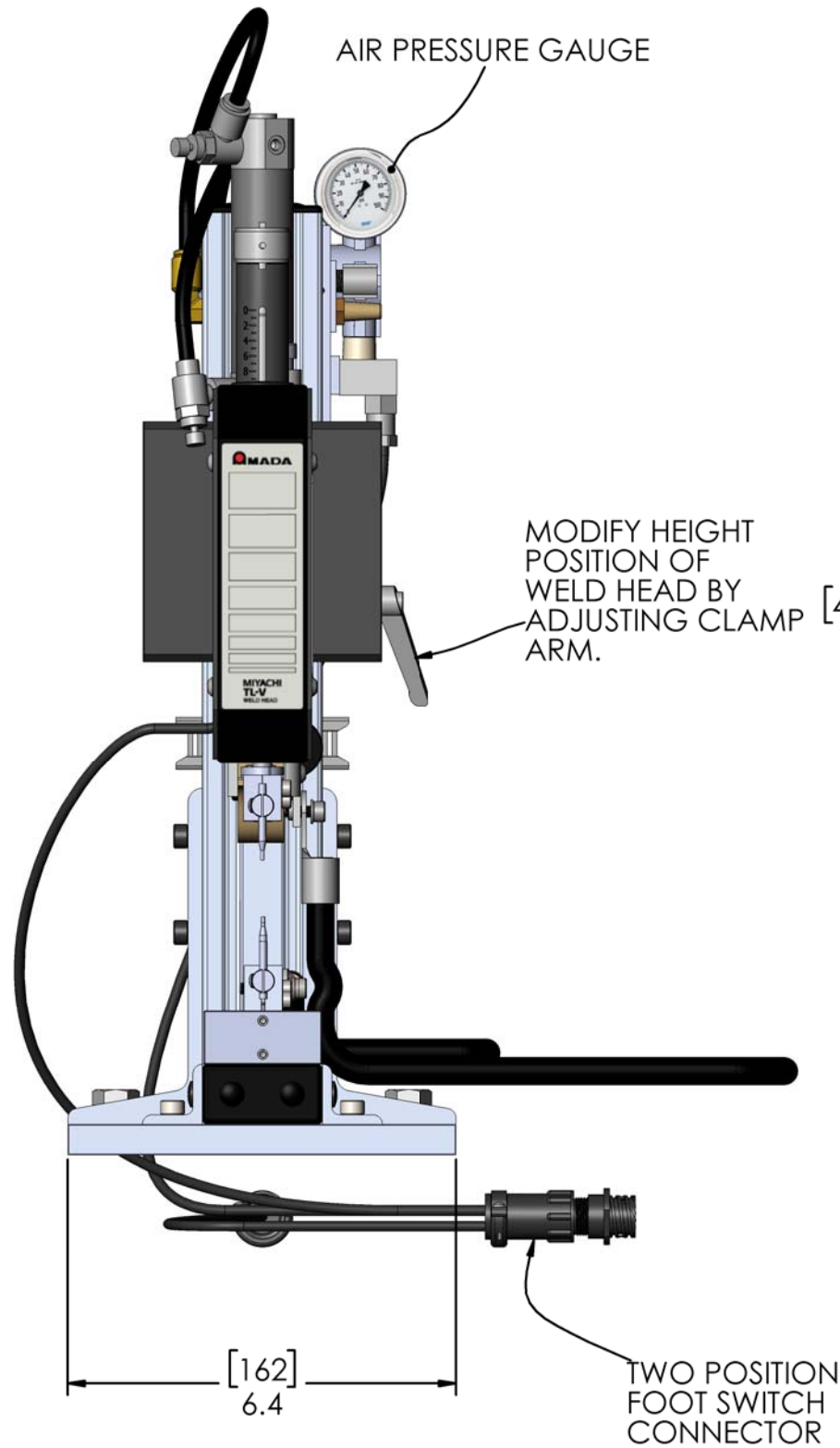


REVISIONS				
SYM	DATE	EO NO.	BY	APPR
A	11/30/17	44820	DMR	TH
B	9/14/18	45169	DMR	TH
C	12/18/19	45711	DMR	TH
D	4/27/20	45833	DMR	TH



1. REFER TO 4-40800-01 MOUNTING TEMPLATE, FOR DRILL HOLE MOUNTING DETAILS.

NOTES: UNLESS OTHERWISE SPECIFIED

**2-361-01
CD WELD HEAD TL-V080B-A, SINGLE HEAD OPPOSED
ELECTRODE, AIR ASSIST.**

UNLESS OTHERWISE SPECIFIED DIMENSIONAL TOLERANCES ARE IN INCHES		MATERIAL: STK NO.		DRAWN: DAVE R	DATE: 11/21/17
DIMENSIONAL TOLERANCES		FINISH:		ENGR	DATE
INCHES .XX ± .01 .XXX ± .005 FRACT ± 1/64		MM X ± .3 .XX ± .13		CHKD	DATE
ANGLES ± 1/4"		APPR MATT G		APPR	DATE: 11/21/17
SURFACE ROUGHNESS 125 MAX BREAK ALL SHARP EDGES TO RADIUS (OR EQUIV)		AMADA WELD TECH INC. CALIFORNIA		RELEASE EO	SCALE
ALL INTERNAL RADI PART TO BE FREE OF BURRS CONCENTRICITY TIR REMOVE MILL SCALE		TITLE INSTALLATION DRAWING, TL-V080B-A WELD HEAD		SIZE DWG NO.	REV
2-361-01		D	4-40853	D	
MODEL	NEXT ASSY	REQD PER UNIT	SHEET 1 OF 1		

PN 4-40853-01