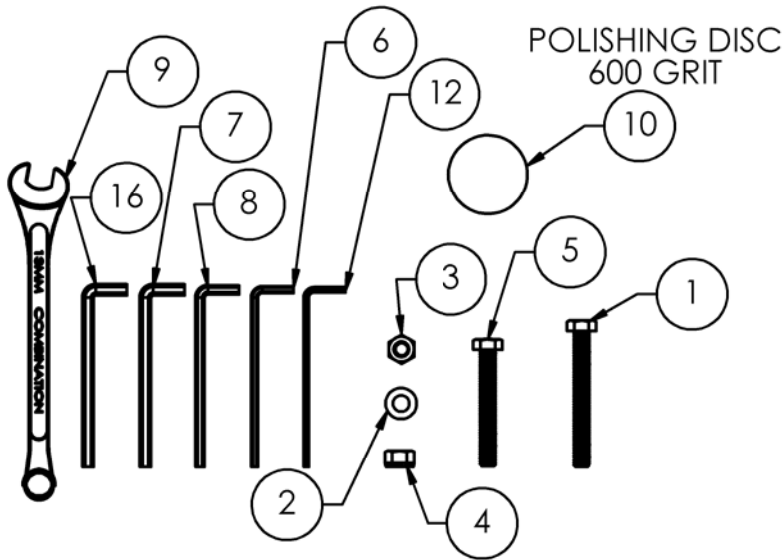
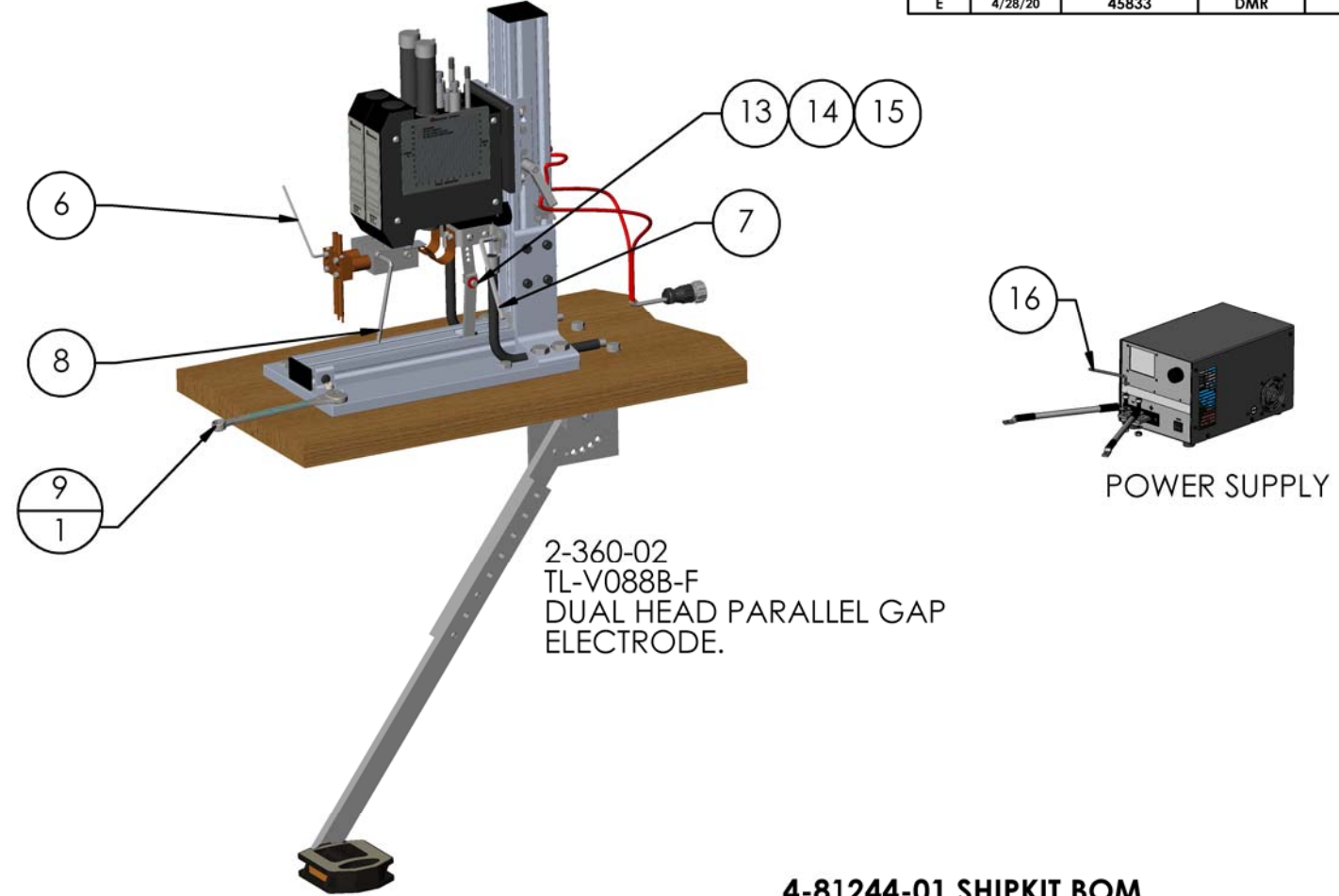


REVISIONS				
SYM	DATE	EO NO.	BY	APPR
A	11/30/17	44820	DMR	TH
B	5/8/18	45015	DMR	TH
C	9/14/18	45169	DMR	TH
D	12/19/19	45711	DMR	TH
E	4/28/20	45833	DMR	TH



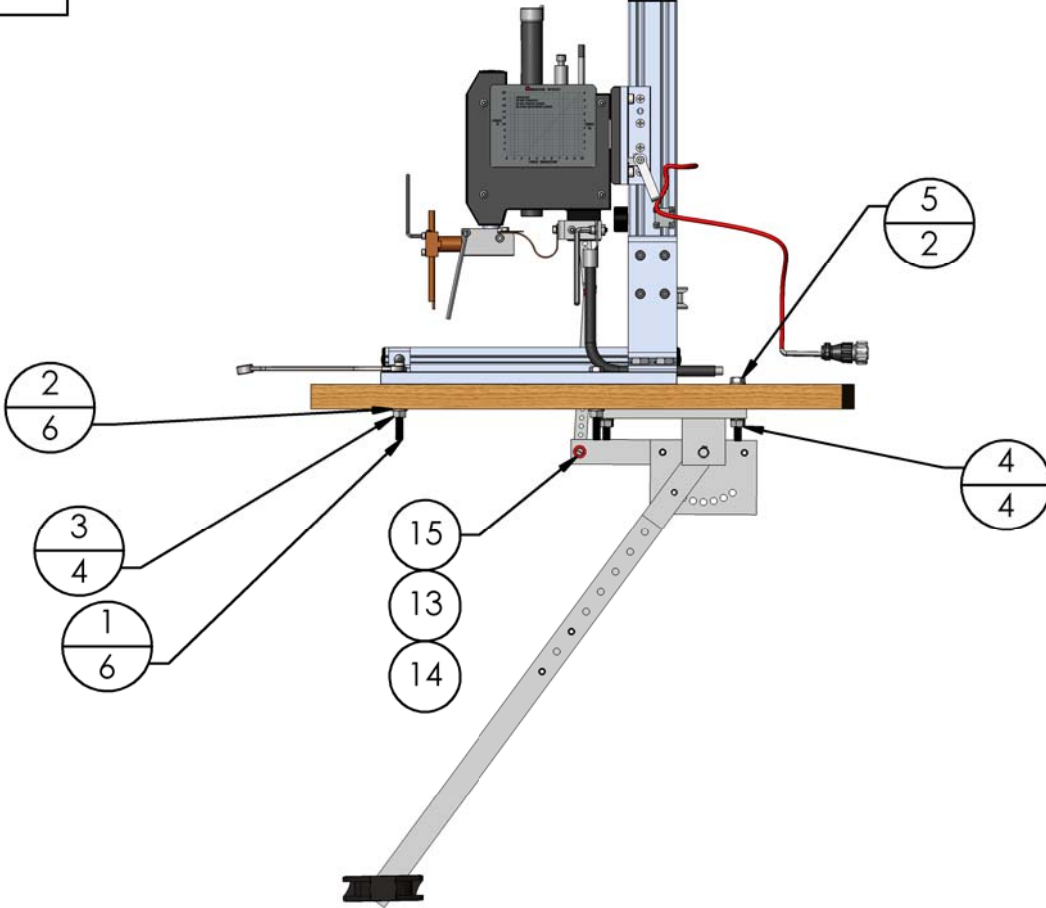
TOOL USAGE CHART		
ITEM #	DESCRIPTION	USE FOR
9	13mm COMBINATION WRENCH	ALL 8mm HEX BOLTS
6	3.0 mm HEX ALLEN KEY	ELECTRODE HOLDER
8	4mm HEX ALLEN KEY	ELECTRODE ADAPTER
7	5mm HEX ALLEN KEY	WELD CABLE END CONNECTIONS & WELD HEAD STAND
12	3/32" HEX ALLEN KEY	PULL ROD & LINK ASSEMBLY
16	6mm HEX ALLEN KEY	WELD CABLE AT POWER SUPPLY END



2-360-02
TL-V088B-F
DUAL HEAD PARALLEL GAP
ELECTRODE.

4-81244-01 SHIPKIT BOM

ITEM NO.	PART NUMBER	DESCRIPTION	Default /QTY.
1	160-010	BOLT,HEX HEAD,M8, 70mmLG	6
2	755-420	WASHER FLAT, M8	6
3	465-289	HEX NUT, M8, 18-8 SS	4
4	465-018	HEX NUT KEPS,M8	4
5	160-006	BOLT,HEX HEAD,M8, 60mmLG	2
6	770-032	3mm HEX ALLEN WRENCH	1
7	770-027	5mm HEX ALLEN WRENCH	1
8	770-043	4mm HEX ALLEN WRENCH	1
9	770-033	WRENCH,13mm,OPEN END	1
10	4-04688-01	DISC POLISHING 600GRIT	2
11	4-40807-01	TEMPLATE MTG, 88F CD	1
12	770-002	HEX ALLEN KEY, 3/32"	1
13	625-589	SHOULDER SCREW, HEX SOCKET (.187 DIA x .500)	2
14	465-043	LOCKNUT, HEX, 8-32	2
15	755-106	FLAT ROUND WASHER, NON-METALLIC	4
16	770-031	WRENCH HEX KEY, 6mm	1



PN 4-40809-01

UNLESS OTHERWISE SPECIFIED DIMENSIONS ARE IN INCHES/		MATERIAL: STK NO.		DRAWN: DAVE R DATE: 10/23/17	
DIMENSIONAL TOLERANCES		FINISH:		ENGR: DATE:	
INCHES .XX ± .01 .XXX ± .005 FRACT ± 1/64		MM X ± .3 XX ± .13		CHKD: DATE:	
ANGLES ± 1/4"		AMADA		APPR: MATT G DATE: 10/23/17	
SURFACE ROUGHNESS 125 MAX BREAK ALL SHARP EDGES TO		AMADA WELD TECH INC. MONROVIA CALIFORNIA		APPR: DATE:	
RADIUS (OR EQUIV)		TITLE: SHIP-KIT DWG, TL-V088B-F DUAL HEAD PARALLEL GAP MANUAL ACTUATION		RELEASE EO: SCALE: NONE	
ALL INTERNAL RADI		SIZE: DWG NO. D 4-40809		REV: E	
PART TO BE FREE OF BURRS		SHEET 1 OF 1			
CONCENTRICITY					
REMOVE MILL SCALE					

NOTES: UNLESS OTHERWISE SPECIFIED