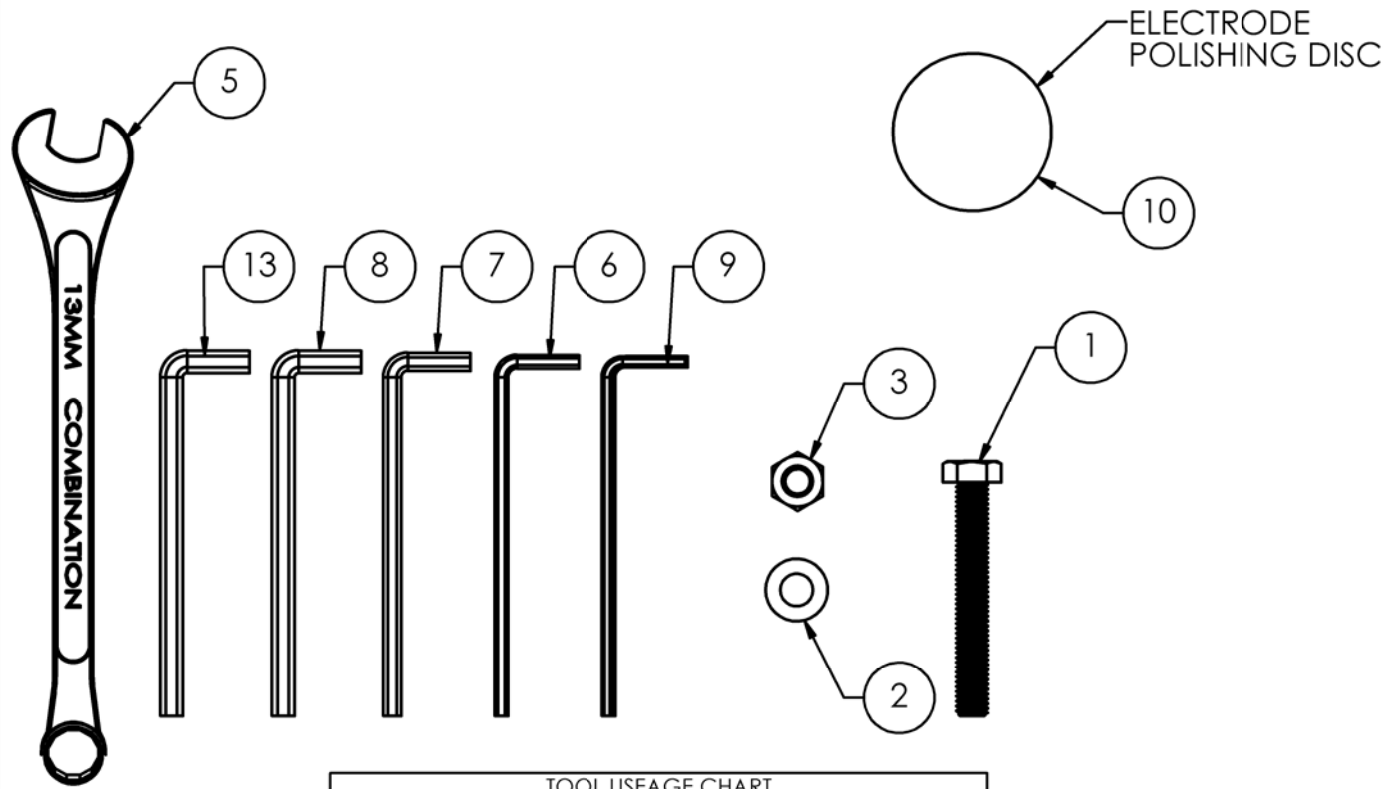
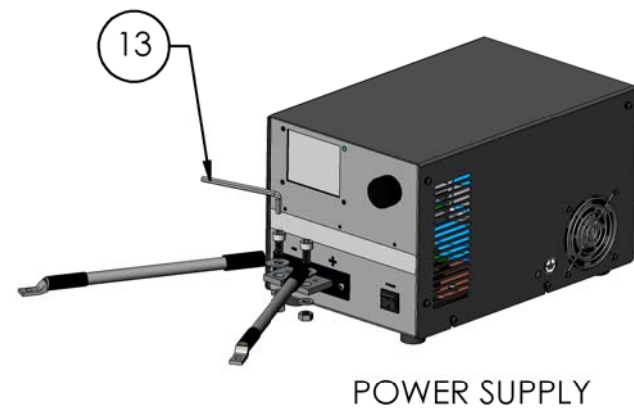


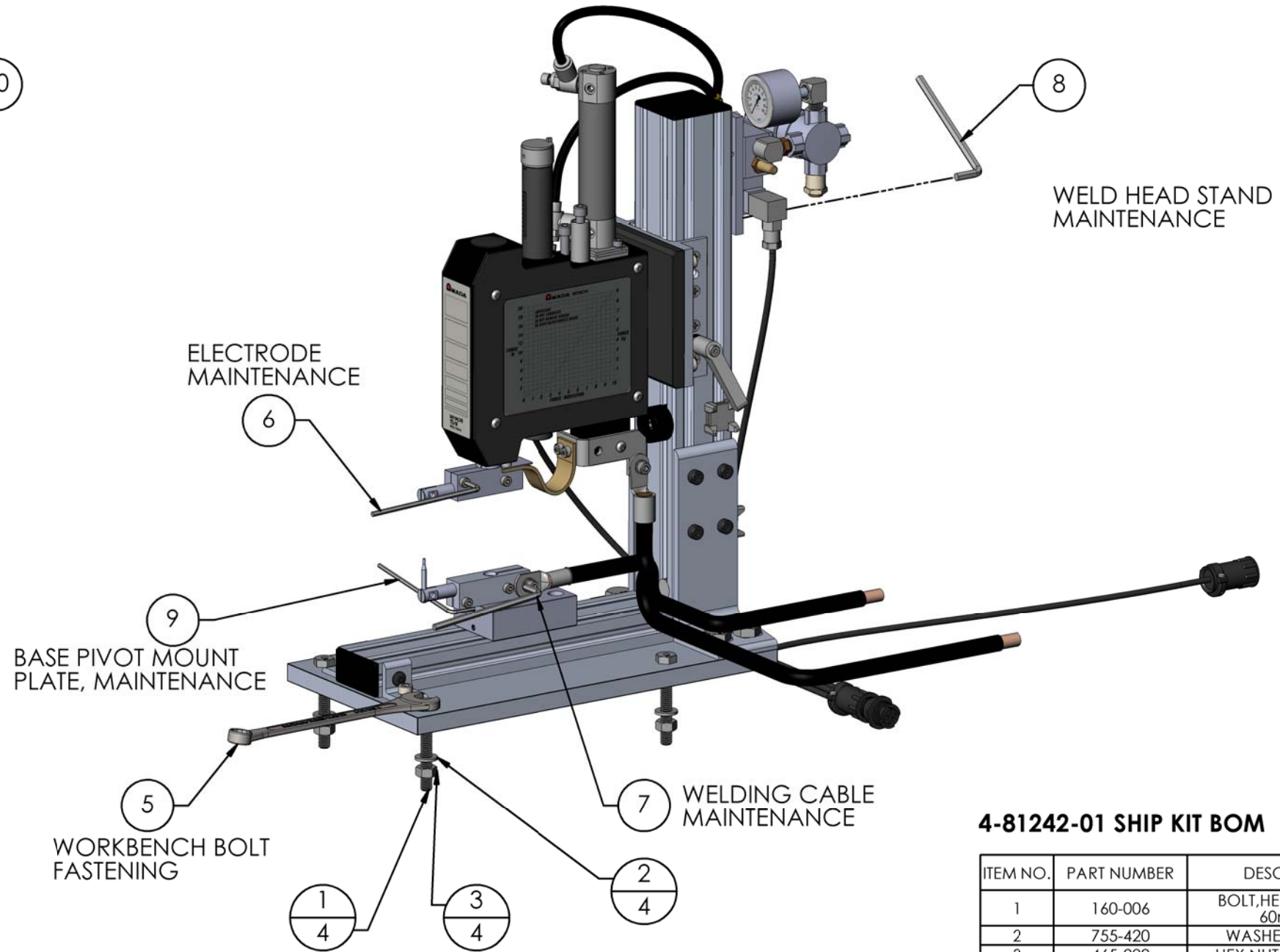
REVISIONS				
SYM	DATE	EO NO.	BY	APPR
A	11/30/17	44820	DMR	TH
B	5/21/18	45015	DMR	TH
C	9/14/18	45169	DMR	TH
D	12/19/19	45711	DMR	TH
E	4/28/20	45833	DMR	TH



TOOL USAGE CHART		
ITEM #	DESCRIPTION	USE FOR
5	13mm COMBINATION WRENCH	ALL 8mm HEX BOLTS
6	3.0 mm ALLEN KEY	ELECTRODE HOLDER
7	4mm ALLEN KEY	WELD CABLE END CONNECTIONS
8	5mm ALLEN KEY	WELD HEAD STAND MOUNT BRACKETS
9	2.5mm ALLEN KEY	BASE PIVOT MNT
13	6mm ALLEN KEY	POWER SUPPLY WELD CABLE



POWER SUPPLY



4-81242-01 SHIP KIT BOM

ITEM NO.	PART NUMBER	DESCRIPTION	Default /QTY.
1	160-006	BOLT,HEX HEAD,M8, 60mmLG	4
2	755-420	WASHER FLAT, M8	4
3	465-289	HEX NUT, M8, 18-8 SS	4
4	4-02889-04	ELECTRODE-STRAIGHT-(GLID COP)	2
5	770-033	WRENCH,13mm,OPEN END	2
6	770-032	3mm HEX ALLEN WRENCH	1
7	770-043	4mm HEX ALLEN WRENCH	1
8	770-027	5mm HEX ALLEN WRENCH	1
9	770-045	2.5mm HEX ALLEN KEY	1
10	4-04688-01	DISC(POLISHING) 600 GRIT	1
11	4-40800-01	TEMPLATE MTG, CD 80A	1
12	4-40853-01	INSTALLATION DWG	1
13	770-031	HEX ALLEN KEY 6mm	1

PN 4-40805-01

UNLESS OTHERWISE SPECIFIED DIMENSIONS ARE IN INCHES/		MATERIAL: STK NO.		DRAWN: DAVE R		DATE: 1/9/18	
DIMENSIONAL TOLERANCES		FINISH:		ENGR:		DATE:	
INCHES .XX ± .01		MM .X ± .3		CHKD:		DATE:	
.XXX ± .005		.XX ± .13		APPR:		DATE: 1/9/18	
FRACT ± 1/64		ANGLES ± 1/4°		MATT G:		DATE:	
SURFACE ROUGHNESS 125 MAX		RADIUS (OR EQUIV)		APPR:		DATE:	
BREAK ALL SHARP EDGES TO		ALL INTERNAL RADII		RELEASE EO:		SCALE: NONE	
PART TO BE FREE OF BURRS		CONCENTRICITY		TITLE:		SIZE: DWG NO.	
REMOVE MILL SCALE		TIR		AMADA WELD TECH INC.		D 4-40805	
2-361-01		4-81242-01		MONROVIA CALIFORNIA		E	
MODEL		BOM DEFINED BY/ASSY		REGD PER UNIT		SHEET 1 OF 1	
						SHIP KIT DRAWING, TL-V080B-A, SINGLE HEAD OPPOSED ELECTRODE	

NOTES: UNLESS OTHERWISE SPECIFIED