

REVISIONS				
SYM	DATE	E O NO.	BY	APPR
A	05/17/11	41769	<i>[Signature]</i>	DAVE C
B	04/30/20	45857	<i>[Signature]</i>	T.H.

1. IF THE OLD STYLE EXTENSION CABLE (MICRO-PHONE JACK) IS INSTALLED, REMOVE AS SHOWN ON FIG. 1.

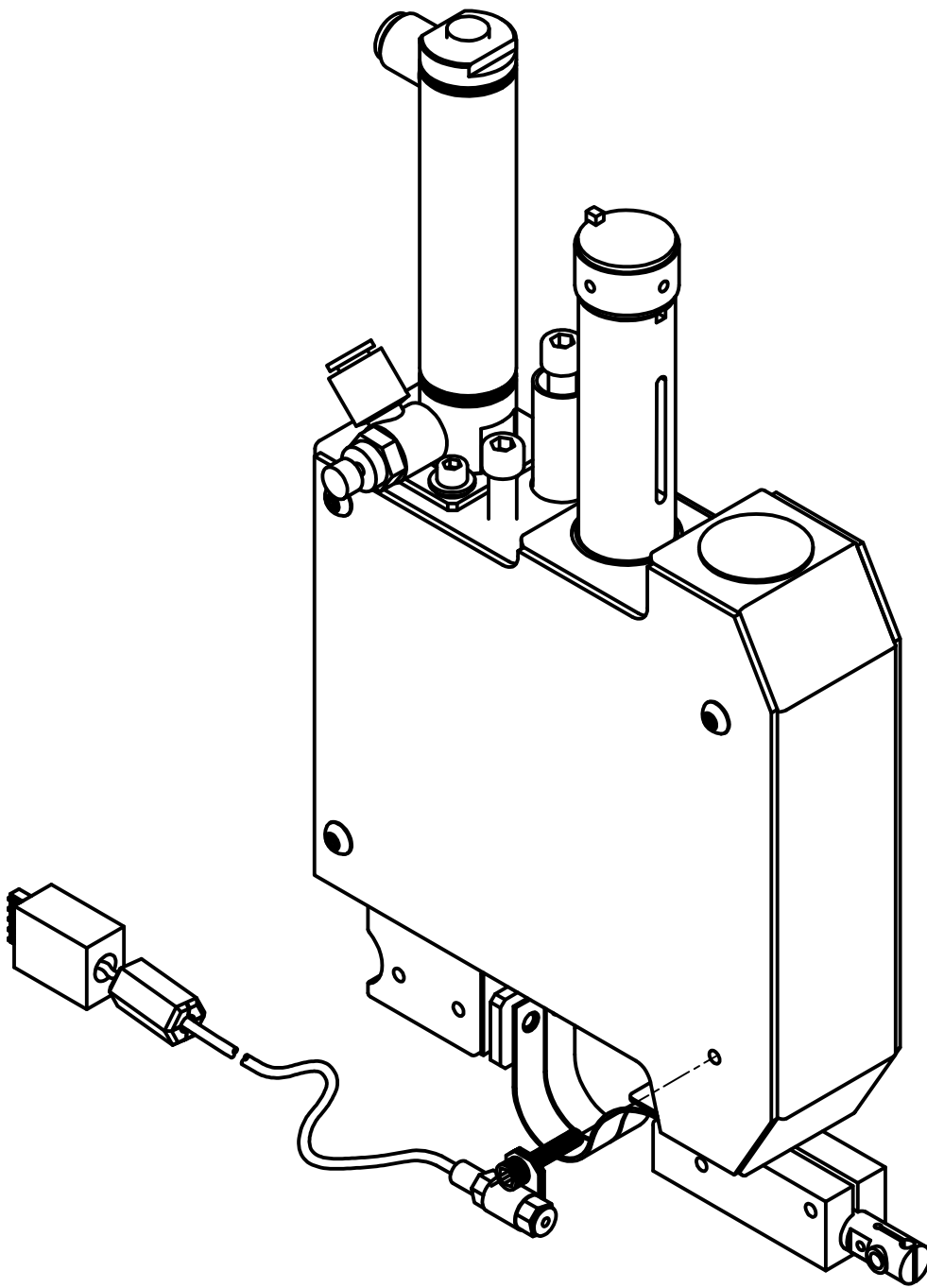


FIG. 1.

2. ATTACH TWO PIN CONNECTOR OF THE THERMOCOUPLE EXTENSION CABLE TO THE BRACKET AS SHOWN ON FIG 2.

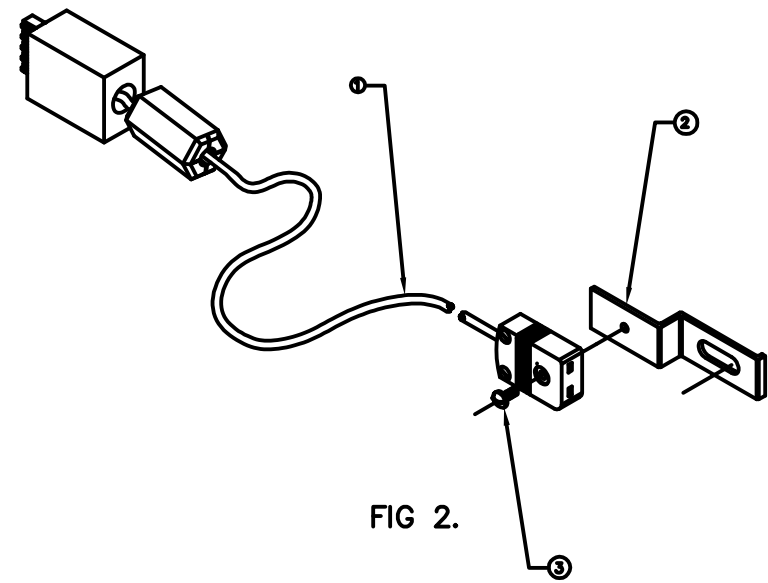


FIG. 2.

3. USING THE SAME SCREW REMOVED AT STEP 1, ATTACH BRACKET WITH THERMOCOUPLE CABLE (MAKE SURE LIP OF BRACKET IS ALIGN TO EDGE OF REFLOW HEAD) AS SHOWN ON FIG. 3.

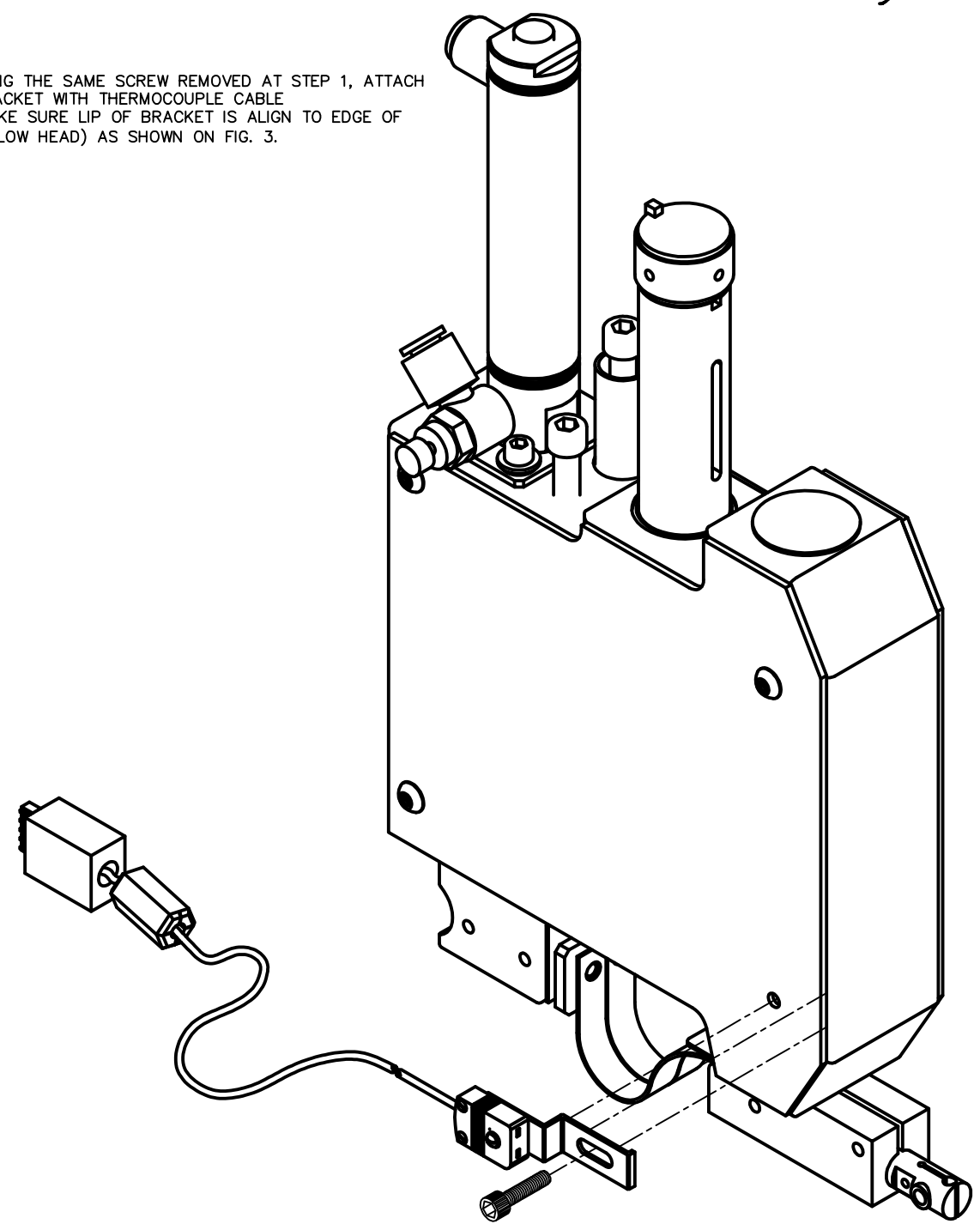
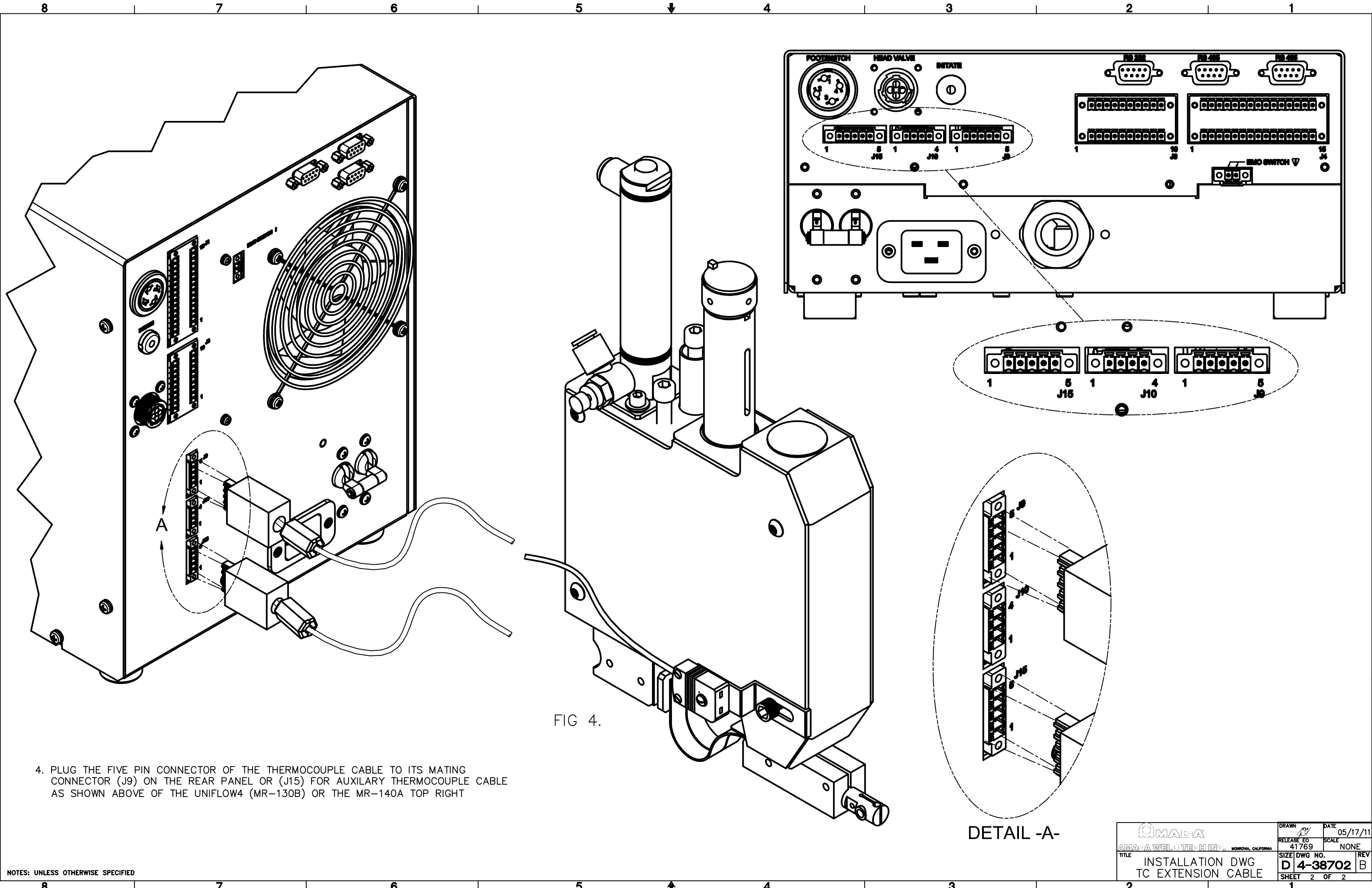


FIG. 3.

PN4-38702-01
SEE SEPARATE PARTS LIST

NOTES: UNLESS OTHERWISE SPECIFIED

UNLESS OTHERWISE SPECIFIED DIMENSIONS ARE IN INCHES/			MATL	STK NO.	DRAWN	DATE
DIMENSIONAL TOLERANCES					<i>[Signature]</i>	05/17/11
INCHES					ENGR	DATE
.XX ± .01			mm		CHKD	DATE
.XXX ± .005			.X ± .2		APPR	DATE
FRACT ± 1/64			.XX ± .02		DAVE C	04/MAR
ANGLES ± 1/4°					APPR	DATE
SURFACE ROUGHNESS 32/ MAX					RELEASE EO	SCALE
BREAK ALL SHARP EDGES TO					41769	NONE
RADIUS (OR EQUIV)					SIZE	DWG NO.
ALL INTERNAL RADII					D	4-38702
PART TO BE FREE OF BURRS					SHEET	1 OF 2
CONCENTRICITY					REV	B
REMOVE MILL SCALE						



4. PLUG THE FIVE PIN CONNECTOR OF THE THERMOCOUPLE CABLE TO ITS MATING CONNECTOR (J9) ON THE REAR PANEL OR (J15) FOR AUXILIARY THERMOCOUPLE CABLE AS SHOWN ABOVE OF THE UNIFLOW4 (MR-130B) OR THE MR-140A TOP RIGHT

FIG 4.

DETAIL -A-

NOTES: UNLESS OTHERWISE SPECIFIED

		DRAWN <i>cy</i> DATE 05/17/11 RELEASE ED 41769 SCALE NONE
TITLE INSTALLATION DWG TC EXTENSION CABLE		SIZE DWG NO. D 4-38702 REV B SHEET 2 OF 2