

MAIN POWER INPUT
208-230 VAC, 50/60 Hz
NEMA REF L6-30

FAN
STAND ALONE
UNIT ONLY

MAIN POWER
20 AMP

SSR2
240A25

BLOWER

STARTING CAP
50uF

SSR1
240A25

WATER
FLOW
SWITCH

HEAT SHRINK
RED LEAD

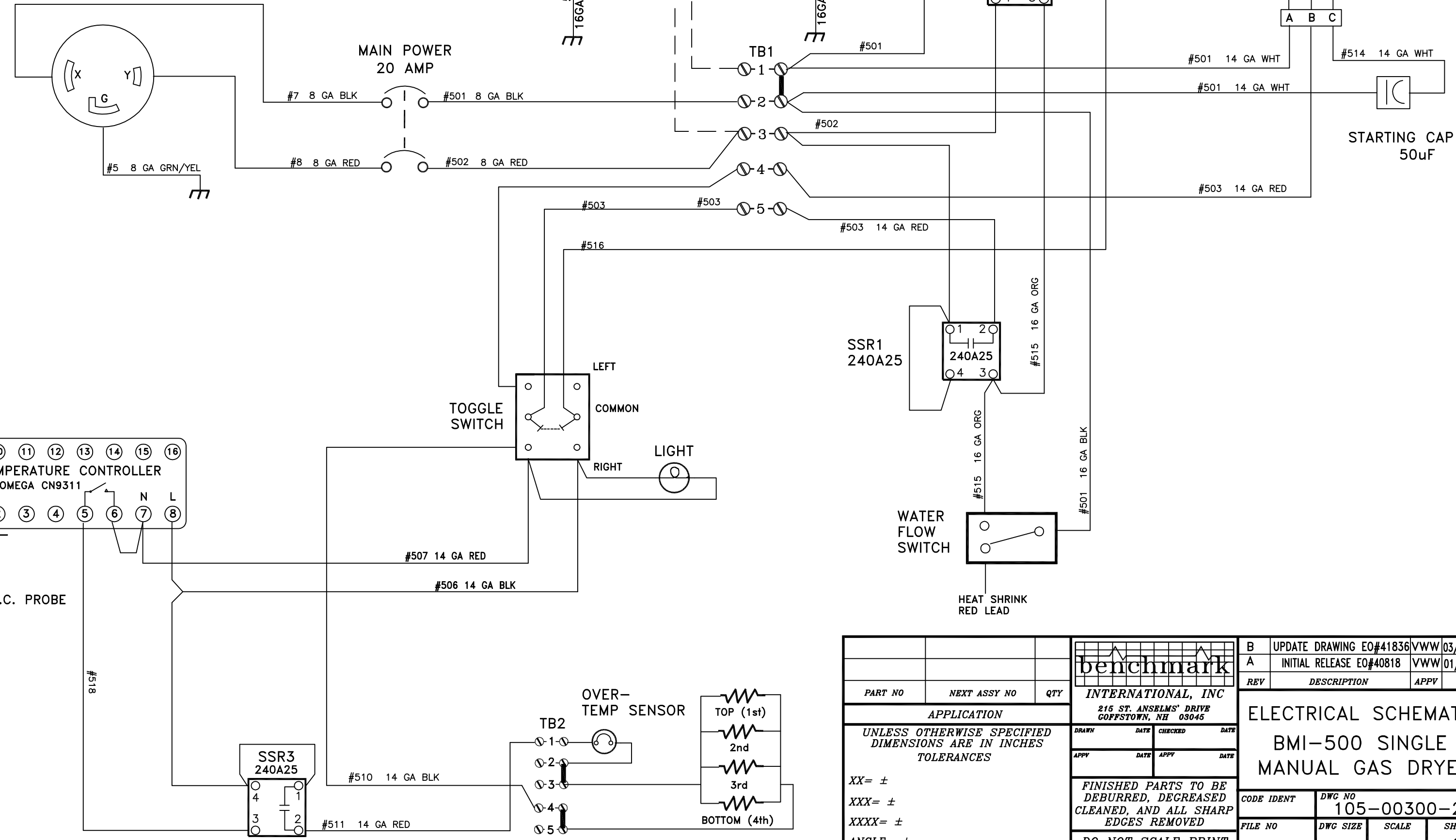
TOGGLE
SWITCH

LIGHT

TEMPERATURE CONTROLLER
OMEGA CN9311

OVER-
TEMP SENSOR

SSR3
240A25



PART NO		NEXT ASSY NO	QTY			B	UPDATE DRAWING EO#41836	VWW	03/09/12
APPLICATION		UNLESS OTHERWISE SPECIFIED DIMENSIONS ARE IN INCHES TOLERANCES XX= ± XXX= ± XXXX= ± ANGLE= ±		INTERNATIONAL, INC 215 ST. ANSELMS' DRIVE GOFFSTOWN, NH 03045		A	INITIAL RELEASE EO#40818	VWW	01/05/11
DRAWN		DATE	CHECKED	DATE	DATE	REV	DESCRIPTION	APPV	DATE
APPV		DATE	APPV	DATE	DATE	ELECTRICAL SCHEMATIC			
FINISHED PARTS TO BE DEBURRED, DEGREASED CLEANED, AND ALL SHARP EDGES REMOVED		DO NOT SCALE PRINT		CODE IDENT		DWG NO	105-00300-200		
FILE NO	DWG SIZE	SCALE	SHEET	OF					