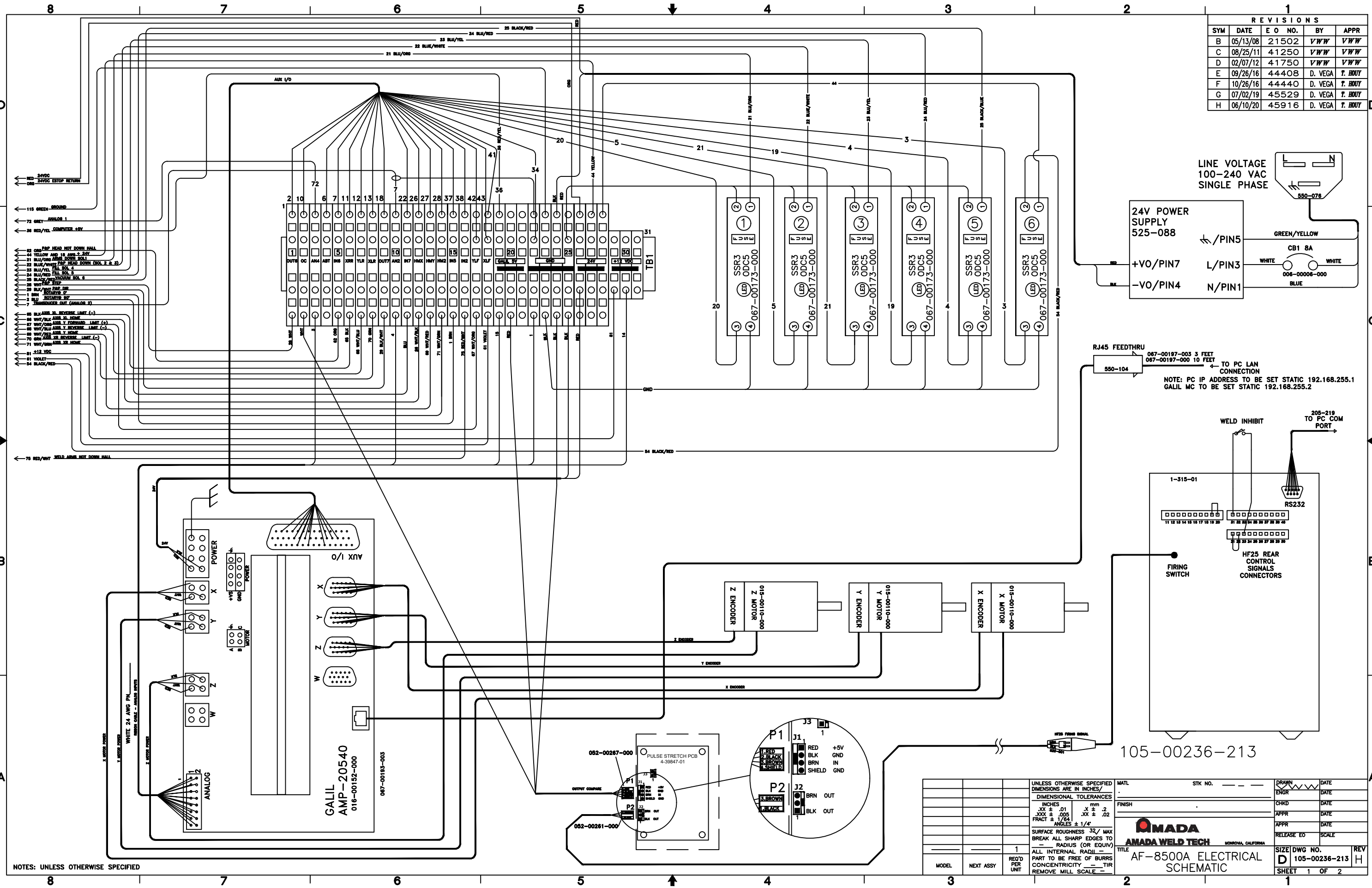
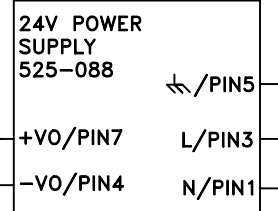


REVISIONS				
SYM	DATE	E O NO.	BY	APPR
B	05/13/08	21502	VWW	VWW
C	08/25/11	41250	VWW	VWW
D	02/07/12	41750	VWW	VWW
E	09/26/16	44408	D. VEGA	T. HOYT
F	10/26/16	44440	D. VEGA	T. HOYT
G	07/02/19	45529	D. VEGA	T. HOYT
H	06/10/20	45916	D. VEGA	T. HOYT



LINE VOLTAGE  
100-240 VAC  
SINGLE PHASE

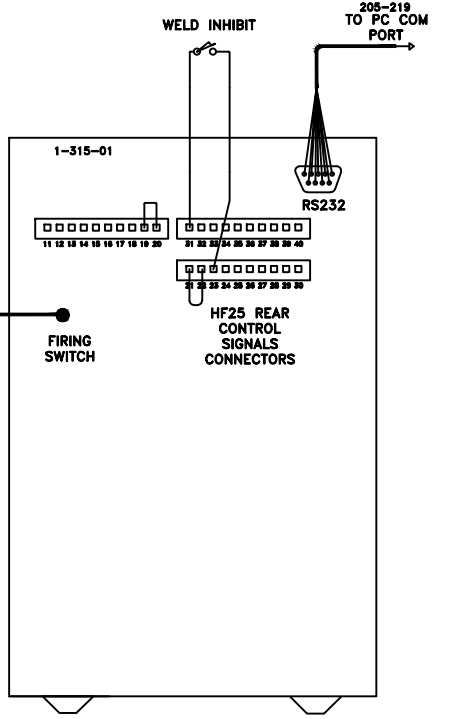


RJ45 FEEDTHRU  
550-104

067-00197-003 3 FEET  
067-00197-000 10 FEET

TO PC LAN CONNECTION

NOTE: PC IP ADDRESS TO BE SET STATIC 192.168.255.1  
GALIL MC TO BE SET STATIC 192.168.255.2

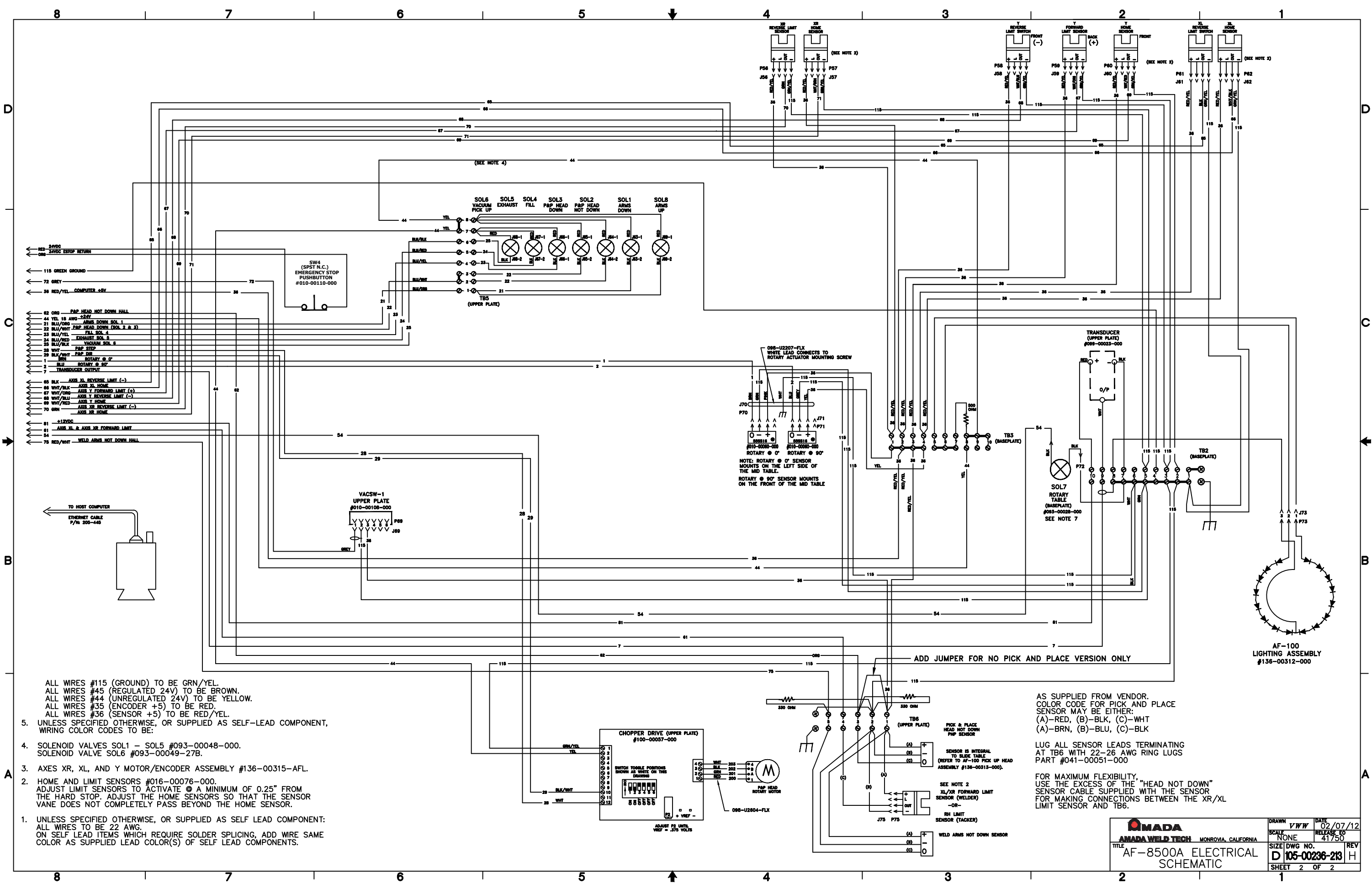


105-00236-213

NOTES: UNLESS OTHERWISE SPECIFIED

MODEL	NEXT ASSY	REQ'D PER UNIT	UNLESS OTHERWISE SPECIFIED DIMENSIONS ARE IN INCHES/ DIMENSIONAL TOLERANCES	MATL.	STK NO.	DATE	DATE	DATE	DATE	SCALE	REV
		1	INCHES .XX ± .01 .XX ± .005 FRACT ± 1/64 ANGLES ± 1/4°								
			mm X ± .2 X ± .02								
			SURFACE ROUGHNESS 32/ MAX BREAK ALL SHARP EDGES TO RADIUS (OR EQUIV)								
			ALL INTERNAL RADII - PART TO BE FREE OF BURRS CONCENTRICITY - TIR REMOVE MILL SCALE -								
			AF-8500A ELECTRICAL SCHEMATIC		SIZE DWG NO. D 105-00236-213		SHEET 1 OF 2				





AS SUPPLIED FROM VENDOR. COLOR CODE FOR PICK AND PLACE SENSOR MAY BE EITHER:  
 (A)-RED, (B)-BLK, (C)-WHI  
 (A)-BRN, (B)-BLU, (C)-BLK

LUG ALL SENSOR LEADS TERMINATING AT TB6 WITH 22-26 AWG RING LUGS PART #041-00051-000

FOR MAXIMUM FLEXIBILITY, USE THE EXCESS OF THE "HEAD NOT DOWN" SENSOR CABLE SUPPLIED WITH THE SENSOR FOR MAKING CONNECTIONS BETWEEN THE XR/XL LIMIT SENSOR AND TB6.

<b>AMADA</b>		DATE	02/07/12
AMADA WELD TECH MONROVIA, CALIFORNIA		SCALE	NONE
TITLE		SIZE DWG NO.	REV
AF-8500A ELECTRICAL SCHEMATIC		D 105-00236-213	H
SHEET		2	OF 2