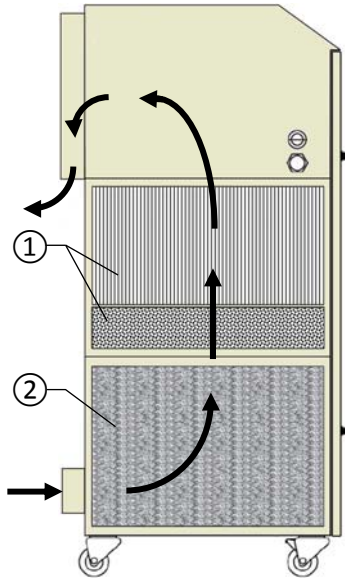


Fume Extractor Spare Parts

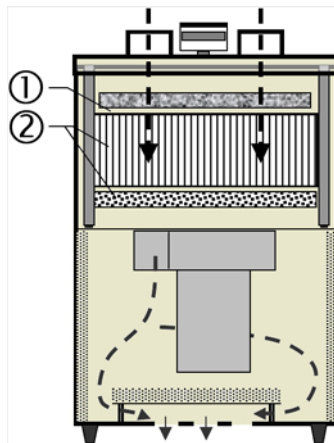
Amada Miyachi America (AMYA) sells different Fume Extractors based on the welding/marking process and customer requirement. Below is a list of replacement filters used in the Fume Extractors specified by Amada Miyachi America. Please choose the replacement filters based on the Model of Fume Extractor.

BOFA Systems L1974-8205 - AMYA # 285-015



	AMYA #	Mfg #	Description
①	318-062	A1030155	Combined (HEPA + Chemical) Filter
②	318-061	A1030156	Pre-Filter

IP Systems F1020PG - AMYA # 318-052

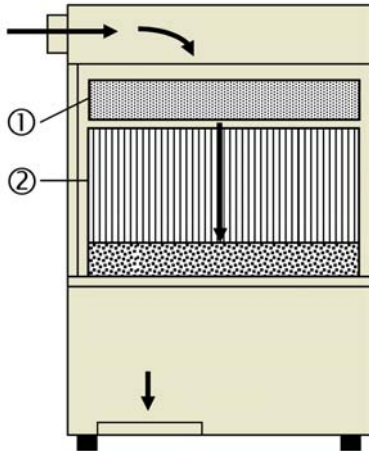


	AMYA #	Mfg #	Description
①	318-055	Fil0088	Pre-Filter, 4" High, 60% Efficiency
②	318-056	Fil0087	HEPA/Carbon Filter, 99.9% Efficiency



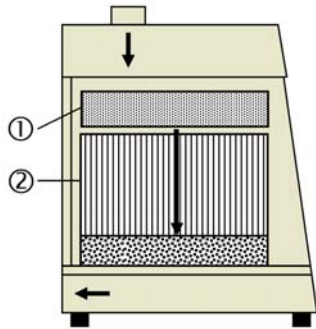
AMADA MIYACHI AMERICA, INC.

IP Systems F1860 - AMYA # 720-225



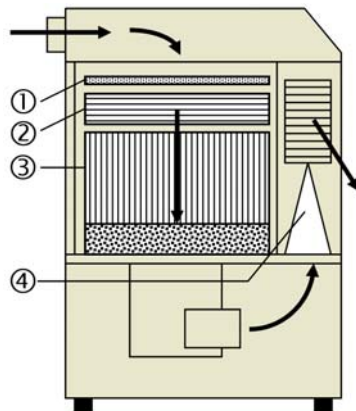
	AMYA #	Mfg #	Description
①	318-042	Fil18P040	Pre-Filter, 4" High, 60% Efficiency
②	318-043	Fil18H070	HEPA/Carbon Filter, 99.97% Efficiency

PACE – ARM-EVAC200 (Model # 8889-0205) - AMYA # 285-080 (part of 4-61359-01 Kit)



	AMYA #	Mfg #	Description
①	318-040	8883-0111-P5	Pre-Filter (pack of 5)
②	318-041	8883-0931	General Filter

IP Systems (formerly Impell) F1230C - currently obsolete (no AMYA part number)



	AMYA #	Mfg #	Description
①	318-044	FIL0006	Pre-Filter (pack of 8)
②	318-045	FIL0024	Pleated Pre-Filter (pack of 4)
③	318-046	FIL0003	HEPA Filter, 99.97% Efficiency
④	318-047	FIL0064	Pocket after-filter, 60% Efficiency