

FP190, FP200, FP5 Weld Heads

Thanks to their excellent dynamic response and their stable follow-up properties the FP-series weld heads represent the best solution for a wide range of resistance welding applications

The FP weld head series is designed for welding of materials which require precise and reliable welds continuously

All three weld head types deliver outstanding weld process stability and consistent reproducibility

Maximum reliability and ease of maintenance generate an outstanding cost of ownership and a very long product life in operation.

CONFIGURATION OPTIONS

The FP190, FP200, FP5 weld heads are designed to be used in combination with electrodes, force sensors, displacement sensors. Please find more details in the respective Technical Data Sheets of the reference products mentioned.

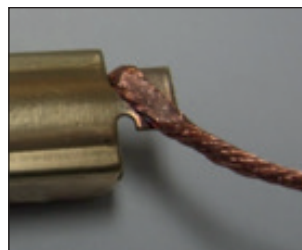
TYPICAL APPLICATIONS



Electronics



Wiring Assembly



Automotive



PRODUCT OVERVIEW

MIYACHI PECO FP190, FP200 and FP5 weld heads are available as follows:

FP-Series	FP190	FP200	FP5
	-1, -2, -3, -H	-1, -2, -3	-8, -18
The FP-series has three main products. While the FP190 type is available in as many as 4 versions, the FP200 offers three and the FP5 two options. The product differences are described in the Technical Specifications table below.			

TECHNICAL SPECIFICATIONS

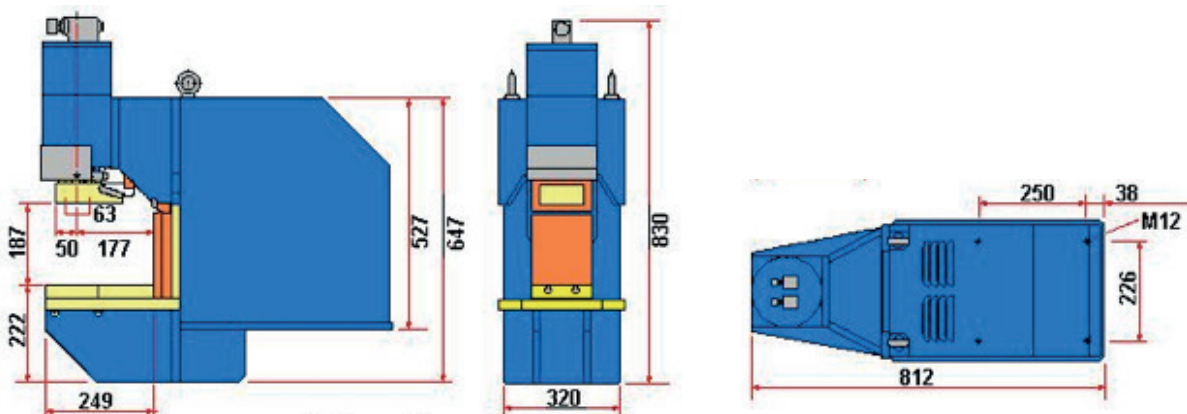
	FP190	FP200	FP5
Configuration	Stand design with horizontal secondary connection and water distributor		Stand design with upper and lower T-slot table
Options	Automatic weld head without stand, without lower electrode holder, with adapter		Upper T-slot table adjustable
Electrode stroke	30 mm	40 mm	50 mm
Closing stroke	pneumatic		
Welding pressure	pneumatic		
Weld force max	1100 N (optionally 400 or 700 N)	3300 N (optionally 1000 N)	-8: 8000 N -18: 18000 N
Air pressure supply	max 6 bar		
Weld force adjustment	via adjustable pressure control valve or proportional valve		via valve bank or proportional valve
Electrode shape	-1, -H: cylindrical, d = 10 mm, -2, -3: MK1 electrodes		
Electrode holder	-1, -H: water-cooled armholders with uncooled circular arms -2: water-cooled MK1 electrode holders -3: Top: centric MK1 electrode holder; Bottom: MK1 electrode holder with water-cooled shaft	-1: water-cooled armholders with uncooled circular arms -2: Top: centric MK1 point type head; Bottom: MK1 electrode holder with water-cooled shaft -3: water-cooled MK1 point-type head	upon request
Weld cables	2x500 mm ² 700 mm long	4x95 mm ² 400 mm long	upon request
Environment temp.	0-40 °C		
Cooling	Water-cooled electrode holders		Watercooled T-slot table

WEIGHT & DIMENSIONS

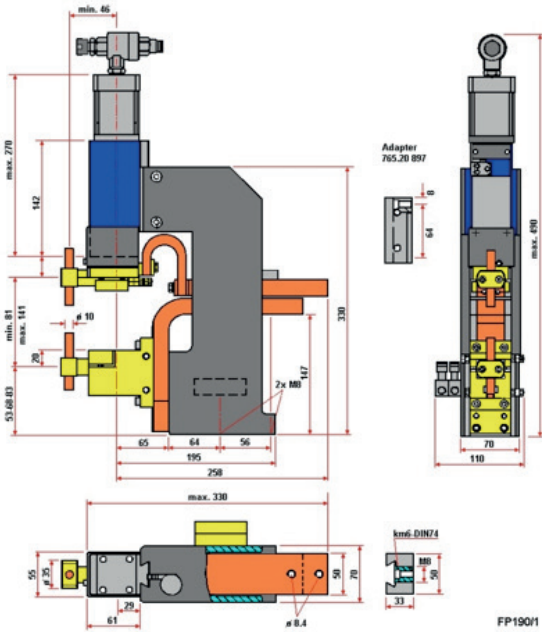
	FP190	FP200	FP5
Weight	14 kg	19 kg	300 kg
Dimensions (LxHxD)	varying	varying	812 x 830 x 320 mm

DRAWINGS

FP5

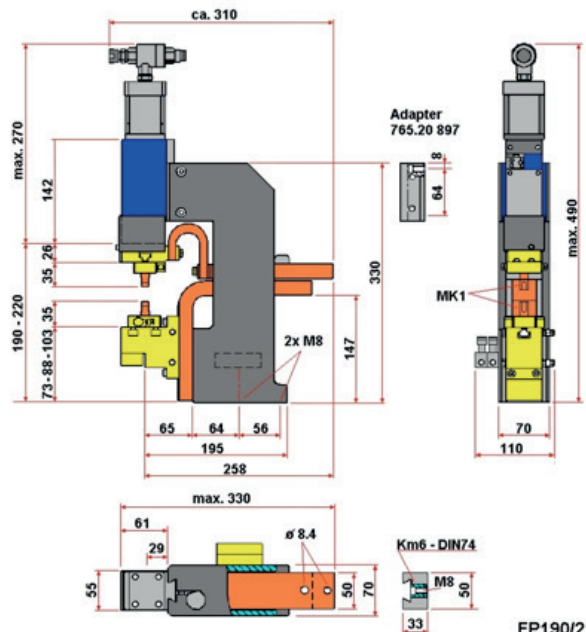


FP190-1



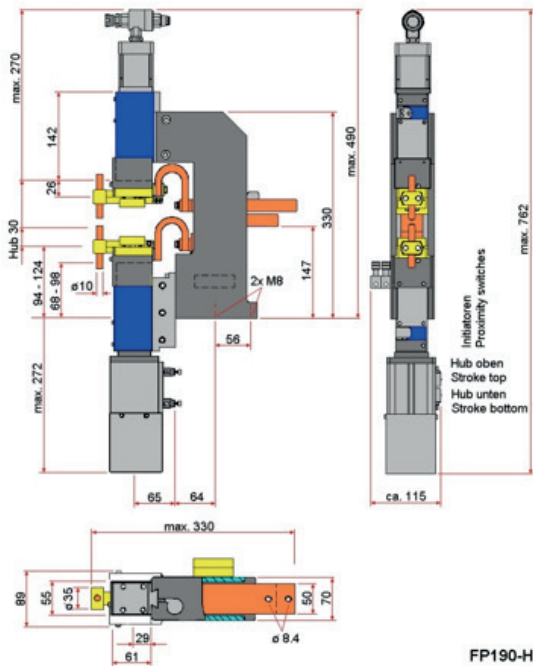
FP190/1

FP190-2



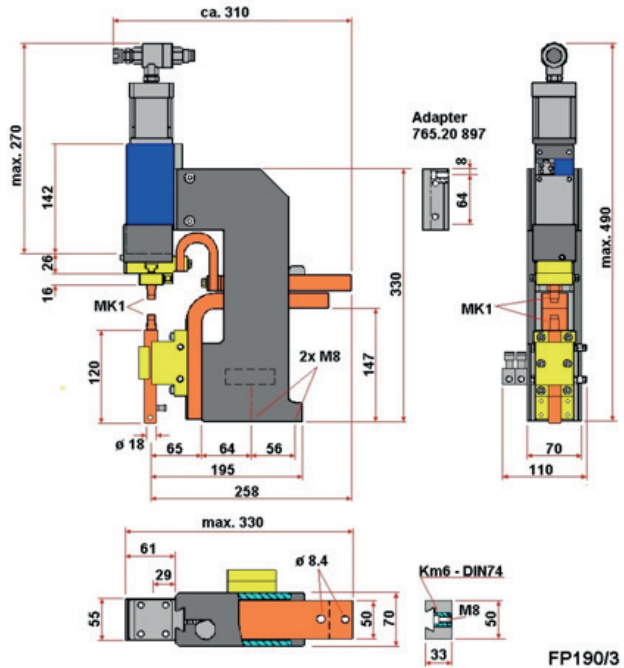
FP190/2

FP190-H



FP190-H

FP190-3



FP190/3



Lindberghstrasse 1 • DE-82178 Puchheim, Germany
 T: +49 (0) 89 83 94 030 • Fax : +49 (0) 89 839403 68
 info@amadamiyachi.eu • www.amadamiyachieurope.com
 ISO 9001 Certified Company



EUROPE

Amada Miyachi Europe BV
 Helmond, The Netherlands
 T: +31 (0) 492 542 225
 info@amadamiyachi.eu

Amada Miyachi Europe Kft.
 Budapest, Hungary
 T: +36 1 431 9927
 info@amadamiyachi.eu

Amada Miyachi Europe
 Derby, United Kingdom
 T: +44 (0) 1332 361 238
 info@amadamiyachi.eu

Amada Miyachi Europe
 Saint Germain en Laye, France
 T: +33 (0) 139 046 430
 info@amadamiyachi.eu

Amada Miyachi Europe
 Torino, Italy
 T: +39 011 223 83 16
 info@amadamiyachi.eu

Amada Miyachi Europe
 Prague-West, Czech Republic
 T: +420 251 512 157
 info@amadamiyachi.eu

AMERICAS

Amada Miyachi America Inc.
 Monrovia, CA, USA
 T: +1-626-303-5676
 info@amadamiyachi.com

Amada Miyachi do
 Brasil Ltda.
 Sao Paulo, Brasil
 T: +55-11-4193-1187
 antonio.ruiz@miyachi.com

ASIA

Amada Miyachi Co., Ltd.
 Noda, Japan
 T: +81-4-7125-6177
 sales@miyachi.com

Amada Miyachi
 Shanghai, Co., Ltd.
 Shanghai, China
 T: +86-21-6448-6000
 zqzhang@msc.miyachi.com

Amada Miyachi
 Korea Co., Ltd.
 Gyeonggi-do, Korea
 T: +82-31-8015-6810
 dykim@mkc.miyachi.com

Amada Miyachi
 Taiwan Co., Ltd.
 Taipei, Taiwan R.O.C.
 T: 886-2-2397-4778
 keigaku@miyachi.com

Amada Miyachi
 (Thailand) Co., Ltd.
 Samutprakarn, Thailand
 T: +66-2751-9337-8
 info@mtl.miyachi.com

Amada Miyachi
 Vietnam Co., Ltd.
 Ho Chi Minh City, Vietnam
 T: +84-8-3771-7972

Amada Miyachi
 India Pvt., Ltd.
 Bangalore, Karnataka
 info@miyachiindia.com

All data, images and text are subject to change at any time. Amada Miyachi Europe GmbH reserves the right to change, modify, delete and add technical specifications and product details at any time without prior notification. © 2015 Amada Miyachi Europe GmbH.

follow us on:

